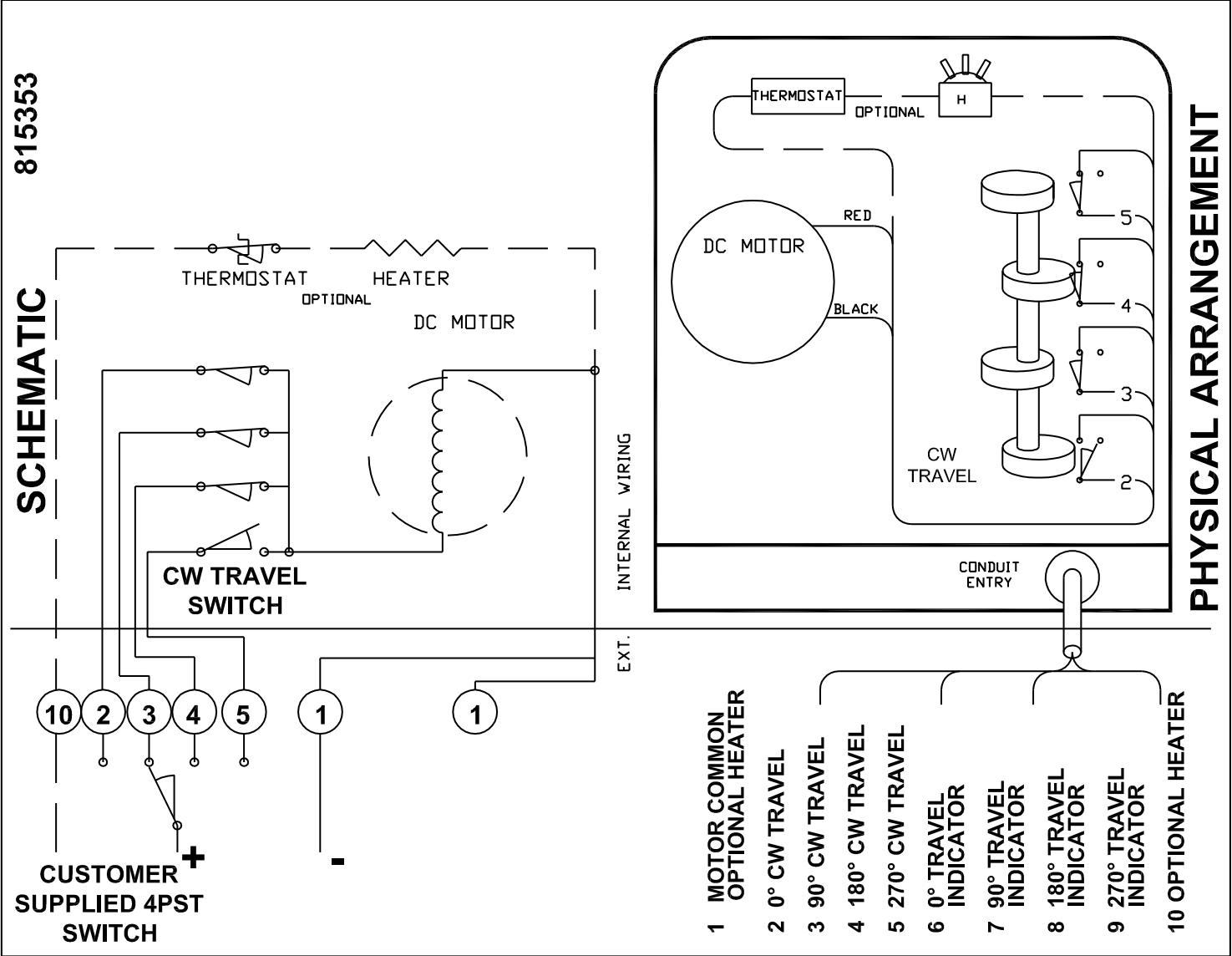
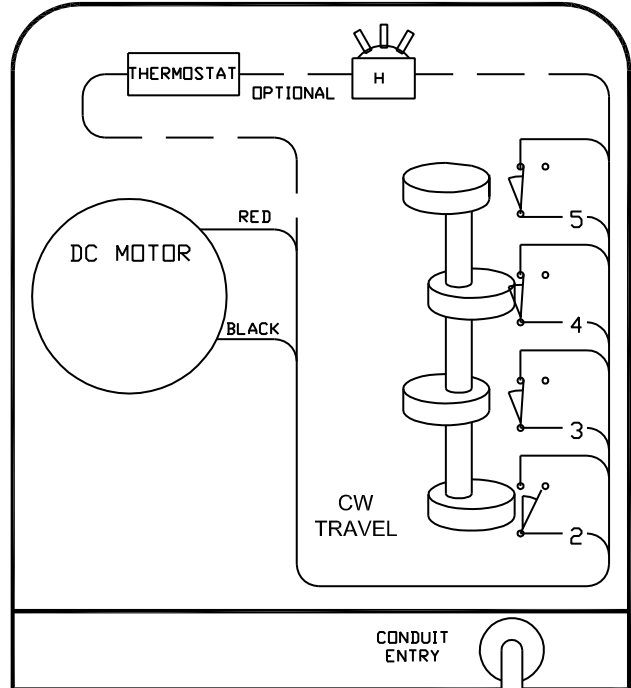


815353

SCHEMATIC



PHYSICAL ARRANGEMENT



- 1 MOTOR COMMON
OPTIONAL HEATER
- 2 0° CW TRAVEL
- 3 90° CW TRAVEL
- 4 180° CW TRAVEL
- 5 270° CW TRAVEL
- 6 0° TRAVEL
INDICATOR
- 7 90° TRAVEL
INDICATOR
- 8 180° TRAVEL
INDICATOR
- 9 270° TRAVEL
INDICATOR
- 10 OPTIONAL HEATER

WIRING SCHEMATIC

DWG NO. 815353